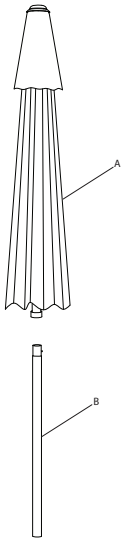




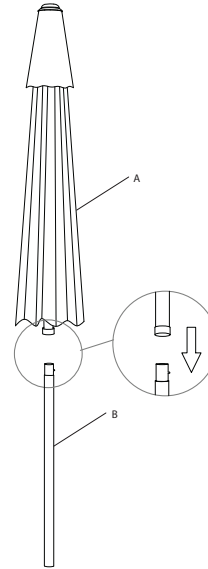
# 7.5ft Expo Green Steel Umbrella

TENTS | AUDIO VISUAL | DANCE FLOOR | STAGING | LINENS | DISHWARE



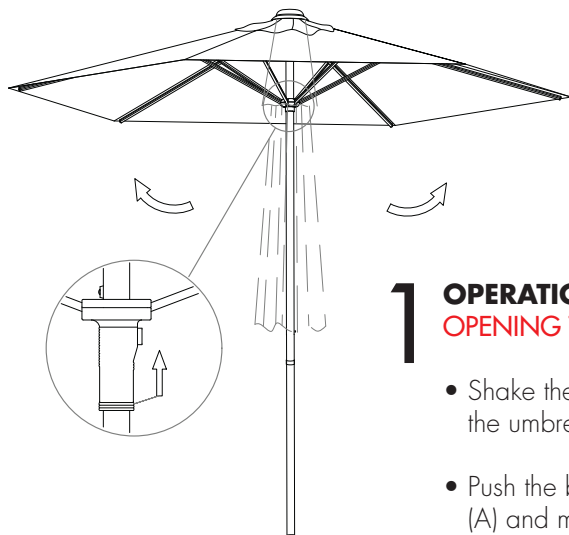
## PACKAGE CONTENTS:

A	Umbrella	1
B	Umbrella pole	1



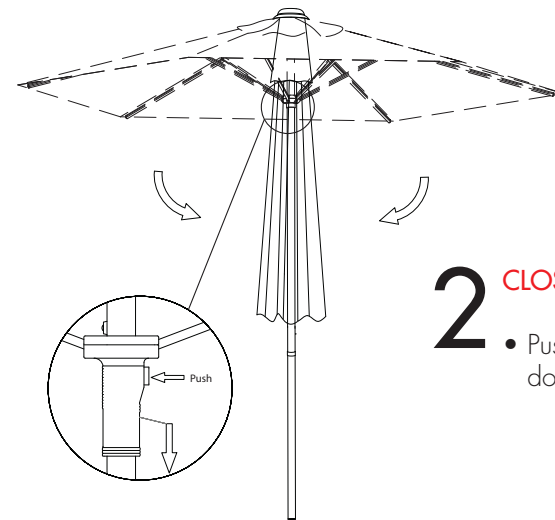
## 1 CONNECTING THE UMBRELLA TO THE UMBRELLA POLE:

- Place the umbrella (A) over the umbrella pole (B).
- Hold down the tab on the umbrella pole (B) while you slide the umbrella (A) down into the pole (B) until the two pieces snap into place.



## 1 OPERATION OPENING THE UMBRELLA

- Shake the umbrella fabric before opening the umbrella.
- Push the button located on the umbrella (A) and move upwards.



## 2 CLOSING THE UMBRELLA

- Push the button on the umbrella (A) and move downwards.